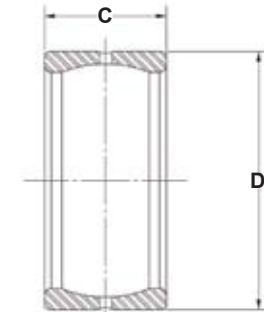


BUSHINGS - OEM SPECIFIC

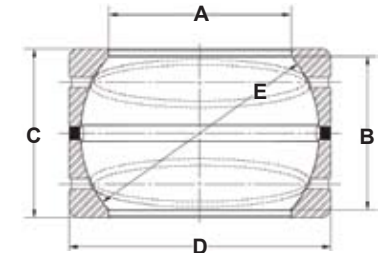
Special - Spherical Plain - Outer Ring Double Split/Fractured Bushing

API PART NUMBER	'A' I.D.	'B' INNER RING WIDTH	'C' OUTER RING WIDTH	'D' O.D.	'E' SPHERE DIA
14529001	Min. 2 1/2" Max. 3 15/64" ball diameter	None	1.687 (1 11/16")	3 9/16"	



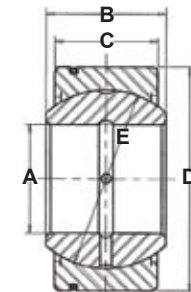
Special - Spherical Plain Double Acting No Inner Ring Bushing with Shim Pack_Inch

API PART NUMBER	'A' I.D.	'B' INNER RING WIDTH	'C' OUTER RING WIDTH	'D' O.D.	'E' SPHERE DIA
14529002	Min. 2 1/2" Max. 3 15/64" ball diameter	None	2.280 (2 9/32")	3 9/16"	3.235 (3 15/64")



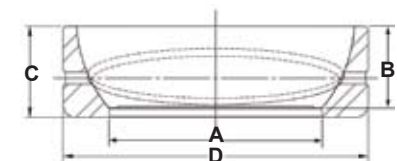
Special - Spherical Plain Double Split Outer Ring Bushing w/Retaining Ring

API PART NUMBER	'A' I.D.	'B' INNER RING WIDTH	'C' OUTER RING WIDTH	'D' O.D.	'E' SPHERE DIA
14513015	1 1/2"	1 1/8"	1 5/16"	2 13/16"	2.153 (2 5/32")



Special - Spherical Plain Single Acting Outer Ring Bushing

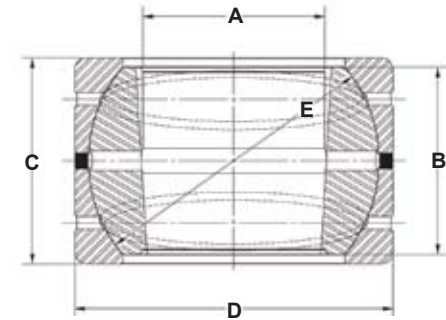
API PART NUMBER	'A' I.D.	'B' INNER RING WIDTH	'C' OUTER RING WIDTH	'D' O.D.	'E' SPHERE DIA
14529000	Min. 2 1/2" Max. 3 15/64" ball diameter	None	1.050 (1 3/64")	3 9/16"	3.235 (3 15/64")



BUSHINGS - OEM SPECIFIC

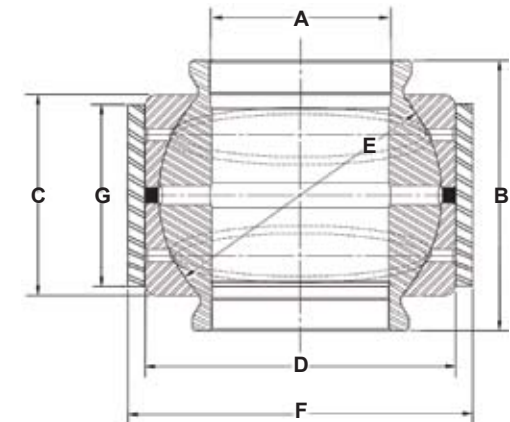
Special - Spherical Plain Tapered Bore Double Acting Bushing w/Shim Pack

API PART NUMBER	'A' I.D.	'B' INNER RING WIDTH	'C' OUTER RING WIDTH	'D' O.D.	'E' SPHERE DIA
14513009	2" Center	2.070 (2 5/64")	2.280 (2 9/32")	3 9/16"	3.235 (3 15/64")



Spherical Plain - Double Acting - Extended Inner Ring - Outer Sleeve Bushing with Shim Pack

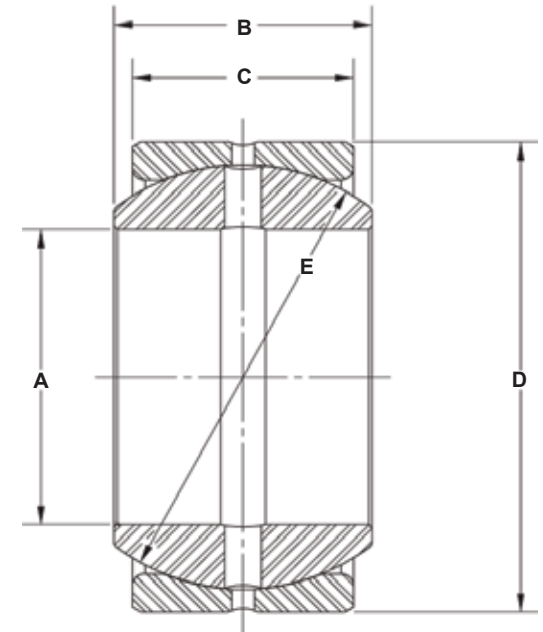
API PART NUMBER	'A' I.D.	'B' INNER RING WIDTH	'C' OUTER RING WIDTH	'D' O.D.	'E' SPHERE DIA	'F' OUTER SLEEVE OD	'G' OUTER SLEEVE WIDTH
14513010	2"	3 3/32"	2.279 (2 9/32")	3.5625 (3 9/16")	3.235 (3 15/64")	4"	2.104"



BUSHINGS - SPHERICAL PLAIN

Standard - Spherical Plain Bushings (Inch)

API PART NUMBER	'A' I.D.	'B' INNER RING WIDTH	'C' OUTER RING WIDTH	'D' O.D.	'E' SPHERE DIA
14513000	1 1/4"	1.093 (1 3/32")	.937 (15/16")	2"	1.795 (1 51/64")
14513001	1 1/2"	1.312 (1 5/16")	1.125 (1 1/8")	2 7/16"	2.155 (2 5/32")
14513002	1 3/4"	1.531 (1 17/32")	1.312 (1 5/16")	2 13/16"	2.515 (2 33/64")
14513003	2"	1.750 (1 3/4")	1.500 (1 1/2")	3 3/16"	2.875 (2 7/8")
14513004	2 1/4"	1.969 (1 31/32")	1.687 (1 11/16")	3 9/16"	3.235 (3 15/64")
14513005	2 1/2"	2.187 (2 3/16")	1.875 (1 7/8")	3 15/16"	3.590 (3 19/32")
14513006	3"	2.625 (2 5/8")	2.250 (2 1/4")	4 3/4"	4.312 (4 5/16")
14513007	2 3/4"	2.406 (2 13/32")	2.062 (2 1/16")	4 3/8"	3.950 (3 61/64")
14513025	3 1/2"	3.062 (3 1/16")	2.625 (2 5/8")	5 1/2"	5.040 (5 3/64")



toll free 800.487.2335

phone 252.633.2155

fax 252.633.3701

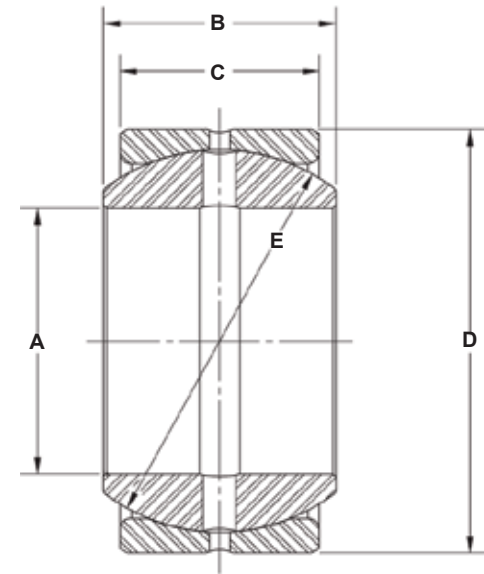
Manufacturers' names, part numbers and model numbers are for reference purposes only. We do not suggest or imply that any item is that of the original manufacturer. All parts warranted. Warranty Statement available upon request.

This document is under the protection of U.S. copyright law, and is meant for the exclusive use of primary recipients from Aftermarket Parts, alone. Any other use, distribution or copying without specific authorization from Aftermarket Parts, Inc. is an infringement of that copyright.

BUSHINGS - SPHERICAL PLAIN

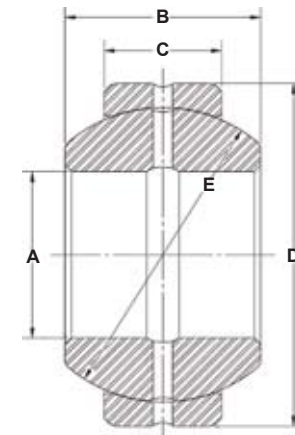
Standard - Spherical Plain Bushings_Metric

API PART NUMBER	'A' I.D.	'B' INNER RING WIDTH	'C' OUTER RING WIDTH	'D' O.D.	'E' SPHERE DIA
14513020	45mm	32mm	25mm	68mm	60mm
14513021	50mm	35mm	28mm	75mm	67mm
14513016	60mm	44mm	36mm	90mm	81mm
14508000	60mm	44mm	36mm	90mm	81mm
14557000	70mm	49mm	40mm	105mm	94mm
14513022	80mm	55mm	45mm	120mm	117mm



Standard - Spherical Plain - High Misalignment Bushings (Metric)

API PART NUMBER	'A' I.D.	'B' INNER RING WIDTH	'C' OUTER RING WIDTH	'D' O.D.	'E' SPHERE DIA
14513024	50mm	56mm	36mm	90mm	81mm
14557001	45mm	43mm	28mm	75mm	67mm



toll free 800.487.2335

phone 252.633.2155

fax 252.633.3701

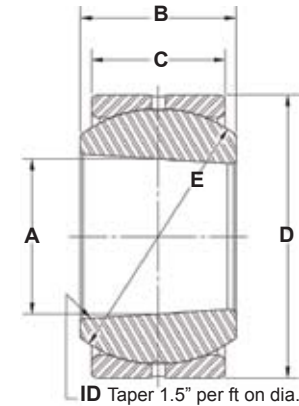
Manufacturers' names, part numbers and model numbers are for reference purposes only. We do not suggest or imply that any item is that of the original manufacturer. All parts warranted. Warranty Statement available upon request.

This document is under the protection of U.S. copyright law, and is meant for the exclusive use of primary recipients from Aftermarket Parts, alone. Any other use, distribution or copying without specific authorization from Aftermarket Parts, Inc. is an infringement of that copyright.

BUSHINGS - SPHERICAL PLAIN

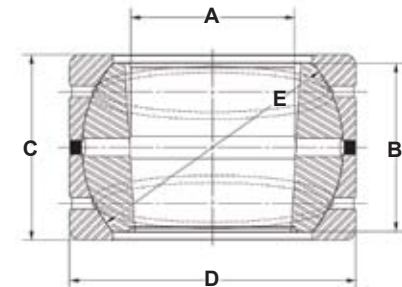
Standard - Spherical Plain Tapered Bore Bushing

API PART NUMBER	'A' I.D.	'B' INNER RING WIDTH	'C' OUTER RING WIDTH	'D' O.D.	'E' SPHERE DIA
14513011	1 3/4" Center	1.820 (1 53/64")	1 1/2"	3 3/16"	2 7/8"
14513013	2 1/4" Center	2.318 (2 5/16")	1.875 (1 7/8")	3 15/16"	3.590 (3 19/32")
14550000	1 1/2" Center	1.580 (1 37/64")	1.312 (1 5/16")	2 13/16"	2.515 (2 33/64")



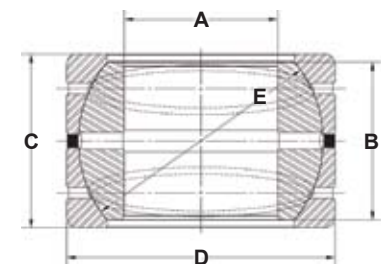
Standard - Spherical Plain Tapered Bore Double Acting Bushing w/Shim Pack

API PART NUMBER	'A' I.D.	'B' INNER RING WIDTH	'C' OUTER RING WIDTH	'D' O.D.	'E' SPHERE DIA
14550001	1 1/2" Center	1.580 (1 37/64")	1.760 (1 49/64")	2 13/16"	2.515 (2 33/64")
14513012	1 3/4" Center	1.820 (1 53/64")	2.020 (2 1/64")	3 3/16"	2 7/8"



Standard - Spherical Plain Double Acting Bushing with Shim Pack (Inch)

API PART NUMBER	'A' I.D.	'B' INNER RING WIDTH	'C' OUTER RING WIDTH	'D' O.D.	'E' SPHERE DIA
14513017	2 1/2"	2.545 (2 35/64")	2.800 (2 51/64")	4 3/8"	3.950 (3 61/64")
14529003	2 3/4"	2.790 (2 51/64")	3.060 (3 1/16")	4 3/4"	4.312 (4 5/16")



toll free 800.487.2335

phone 252.633.2155

fax 252.633.3701

Manufacturers' names, part numbers and model numbers are for reference purposes only. We do not suggest or imply that any item is that of the original manufacturer. All parts warranted. Warranty Statement available upon request.

This document is under the protection of U.S. copyright law, and is meant for the exclusive use of primary recipients from Aftermarket Parts, alone. Any other use, distribution or copying without specific authorization from Aftermarket Parts, Inc. is an infringement of that copyright.